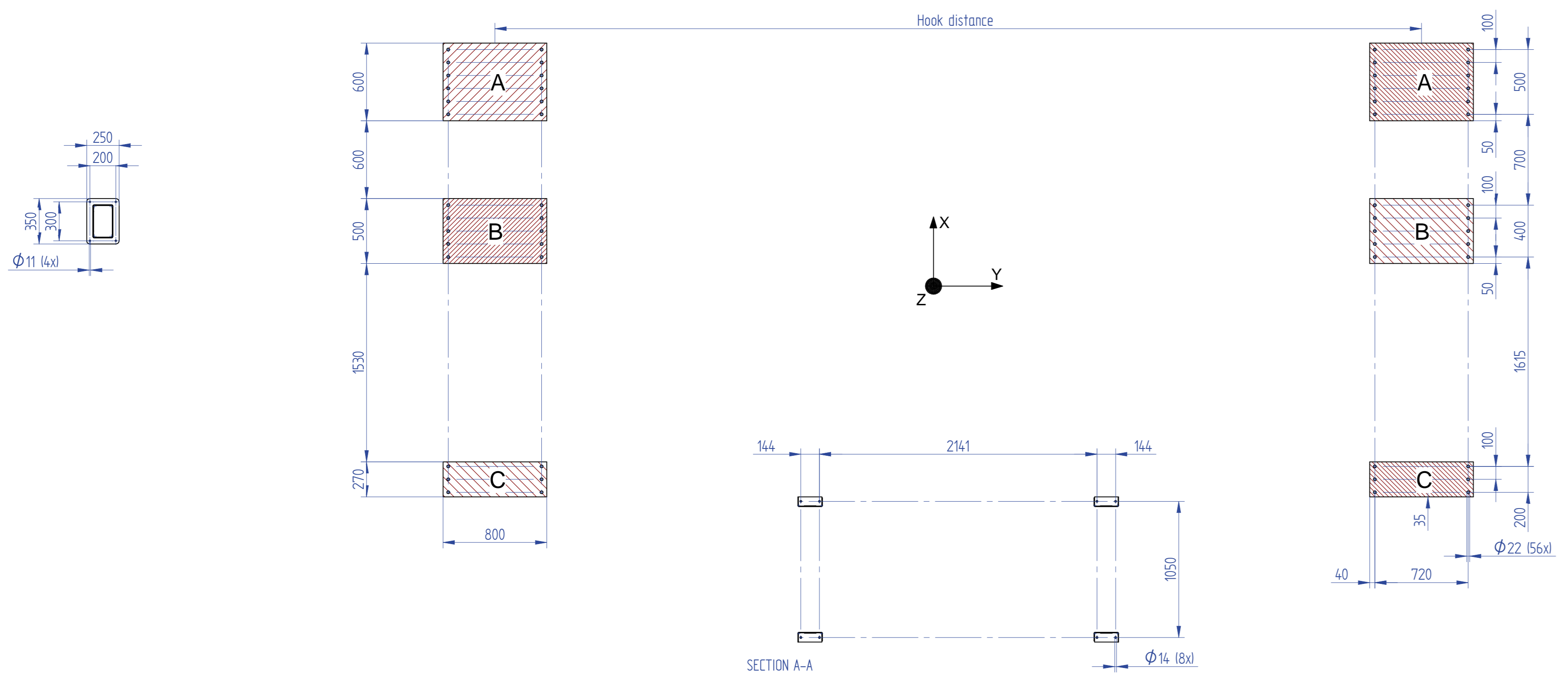
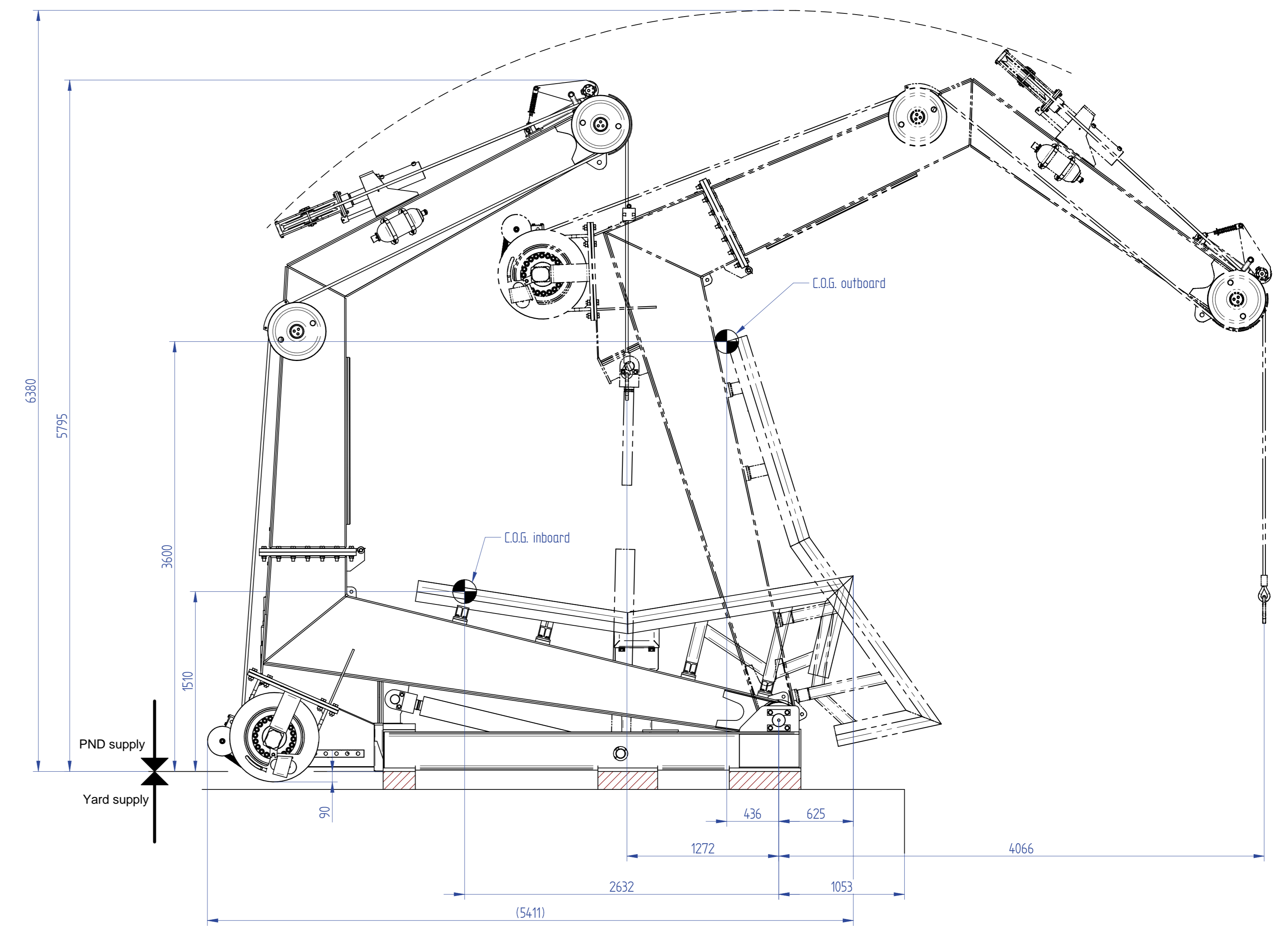
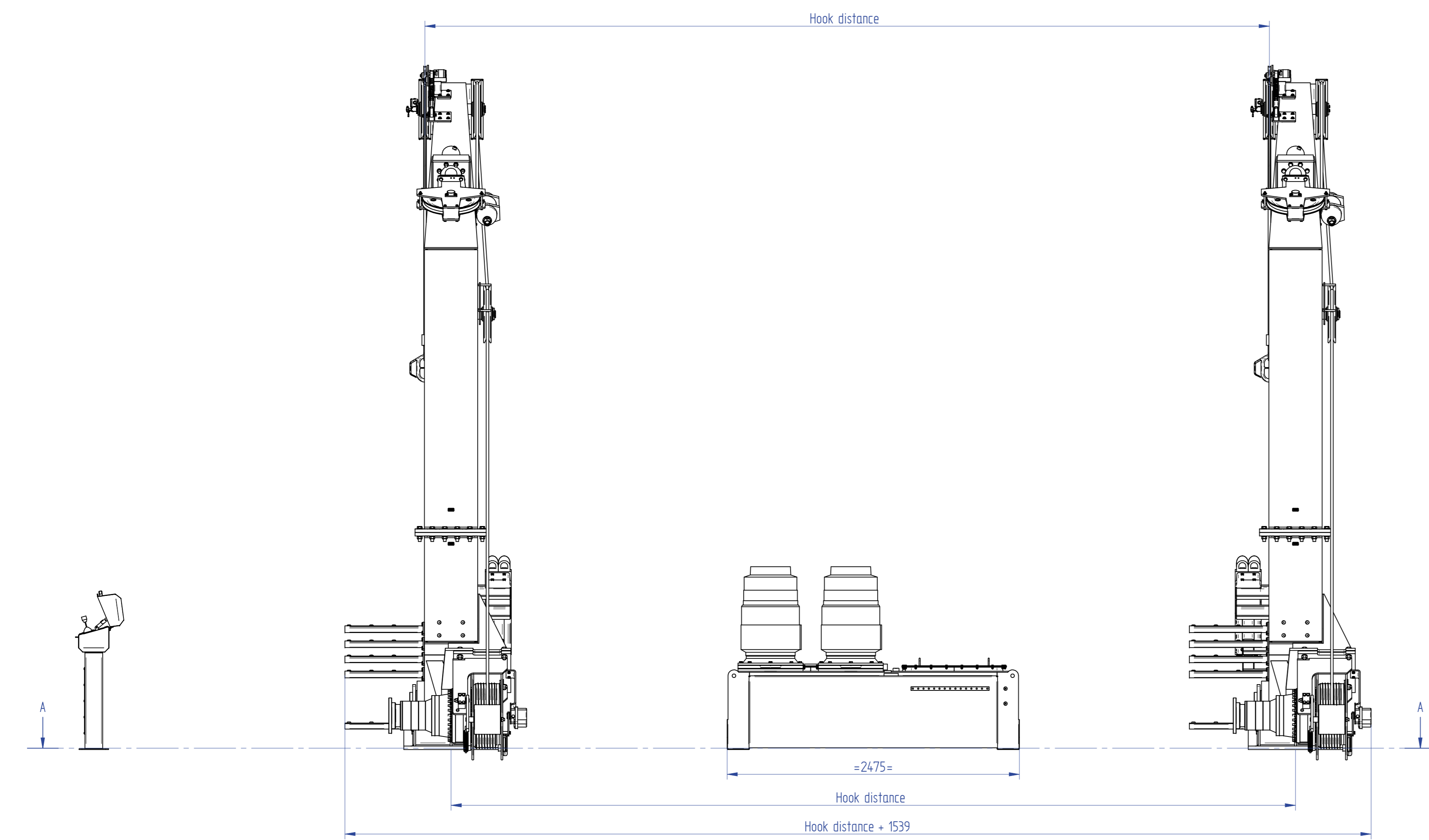
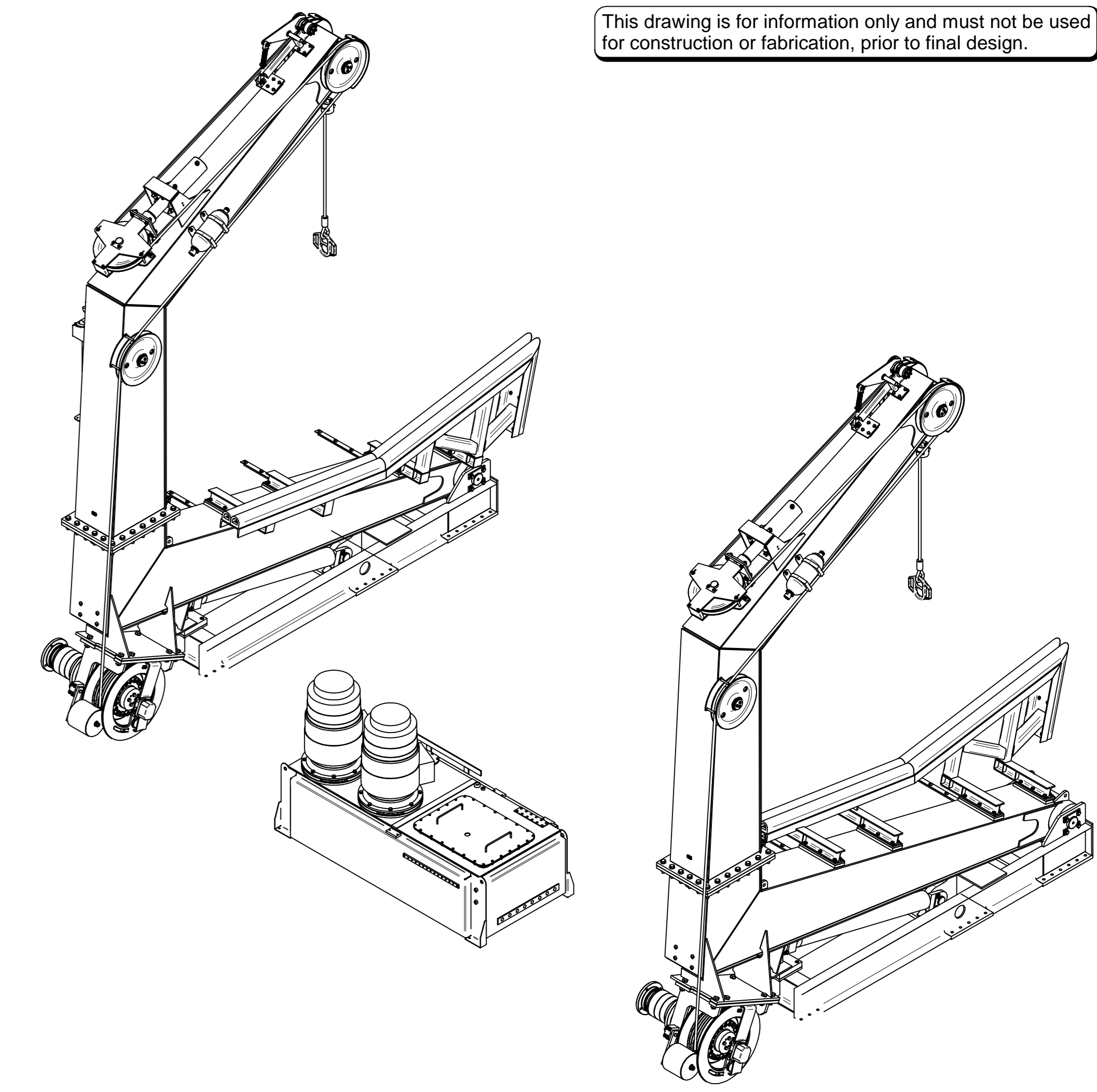
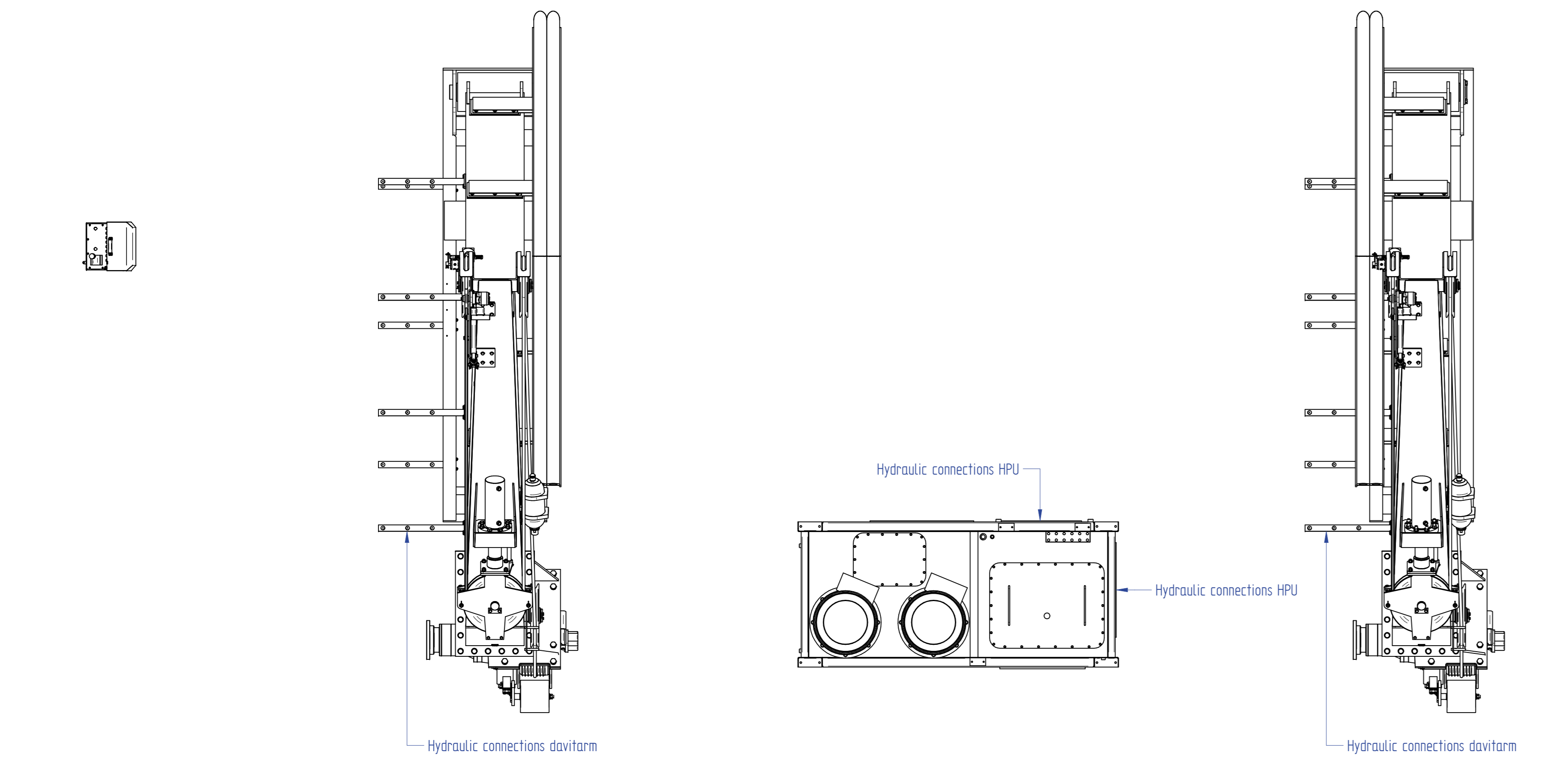


# SEASIDE

This drawing is for information only and must not be used for construction or fabrication, prior to final design.



Support loads [kN]	Ax	Ay	Az	Bx	By	Bz	Cx	Cy	Cz
System inboard, -5° list, 2° trim	-3	+2	40	-	-	-	-7	+3	85
System turning out, -5° list* trim	10	+5	-105	-20	+10	225	-	-	-
System outboard, +5° list, 2° trim	35	+15	360	-25	+10	-240	-	-	-

Palfinger Ned-Deck reserves the right to change the product design, materials, and specifications without incurring obligations. Responsibility for the use and application of the product rests with the user.

Weight without boat and oil:  
 Davitarm: 6000 kg each  
 HPU: 1500 kg  
 Console: 50 kg

TITLE		PFH 100 CT	
DRW	SH	TOLERANCES	NEN-ISO 2768-1
DATE	02-07-13	APPROVED	PRODUCTION
SCALE	1:25	PRODUCTION	
DRAWING NUMBER	3A-105226	SIZE	A0
This drawing is the property of Palfinger Ned-Deck BV. The Netherlands. It may not be copied or drawn to any third party.			
www.palfingereddeck.com		File: 3A-105226	