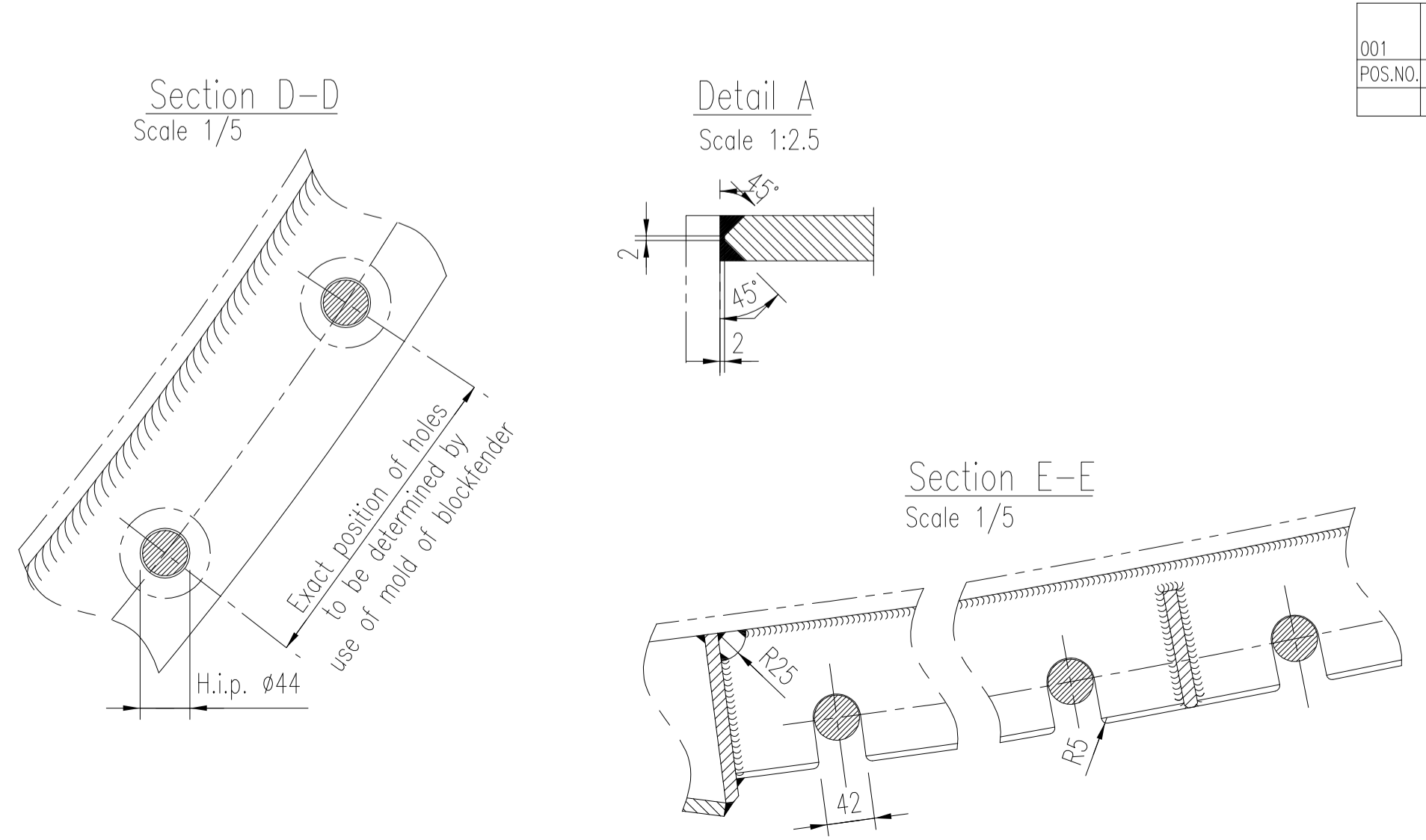
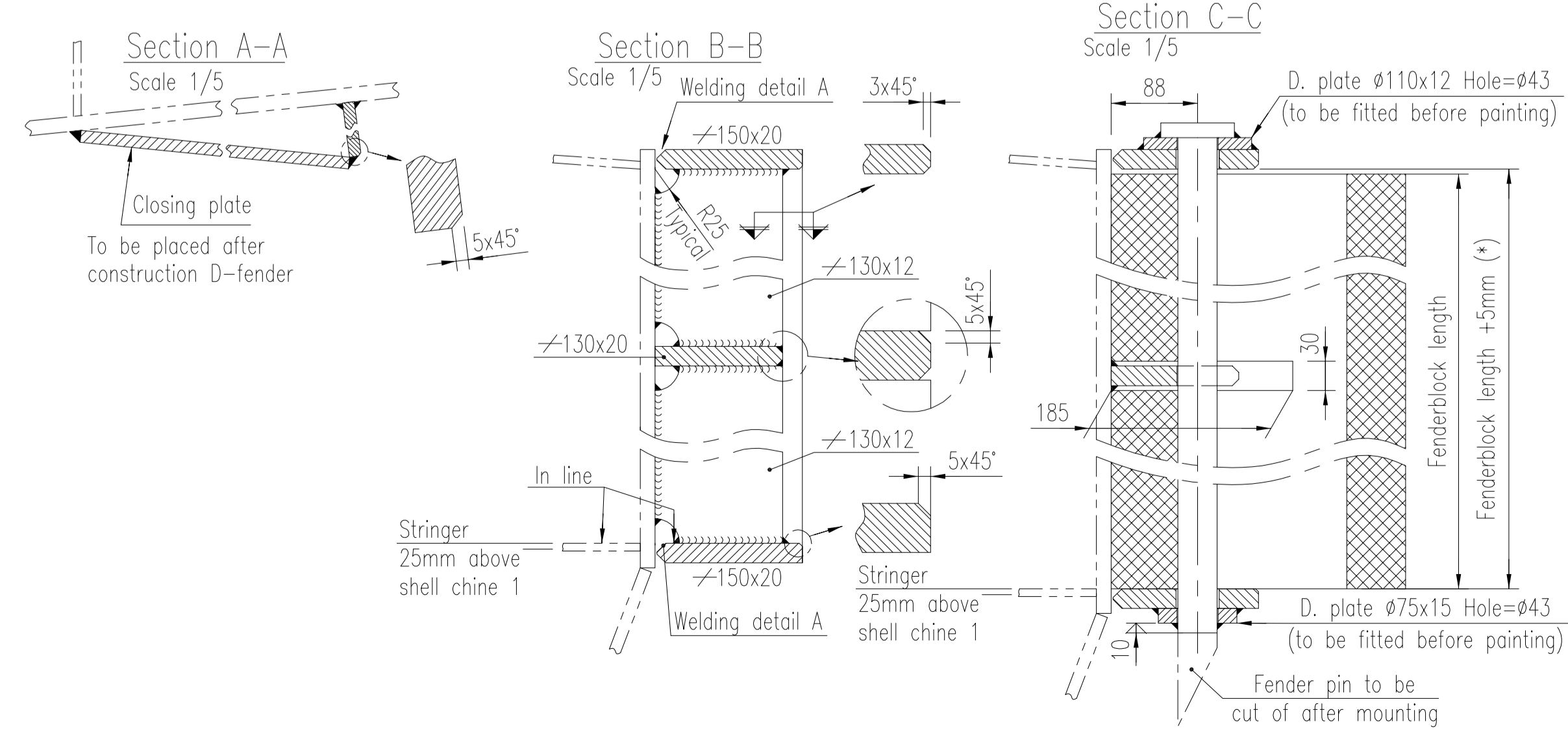


Block Nr.:	Block Length:	Block Nr.:	Block Length:
1	1010	20	734
2	1013	21	759
3	1018	22	785
4	1021	23	811
5	1017	24	837
6	1006	25	864
7	998	26	889
8	990	27	914
9	975	28	937
10	957	29	957
11	937	30	975
12	914	31	990
13	889	32	998
14	864	33	1006
15	837	34	1017
16	811	35	1021
17	785	36	1018
18	759	37	1013
19	734		
Total length			34060



**Note:**

- Sharp edges to be removed
- All welding  $\Delta$  or  $\Delta\Delta$  5 (continuous) Unless specified otherwise
- Materials: steel, Grade A fender, Rubber
- FULL PAINT SYSTEM TO BE APPLIED BEFORE FITTING OF RUBBER FENDER TO BE CHECKED BY DAMEN SURVEYOR

POS.NO.	QT	CLASS	MATERIAL	ART.NO.	DESCRIPTION	DRAWING NO.	REMARKS
001	1	FENDERING	Rubber	1510016	Set of 37 blocks acc. drw.: -151-002		

B	20-02-06	SvdL	BK		New drawn frame		
A	18-05-2004	PJ Fase	BK		D-fender decreased		

REV	DATE	DRWN	CHKD	APPRVD	REVISION SUBJECT

DRAWN	JMB/MM	FORMAT	A1	PROJECTION
CHECKED	R.B.	SCALE	1:25	
APPROVED		DATE	08-03-02	

TYPE	ASD Tug 2411	DERIVED FROM DWG	
COMP NO		DWG NO	512200-151-002
SECT NO	YARD NO contractor		
	YARD NO building yard		
	512200	SHEET	B