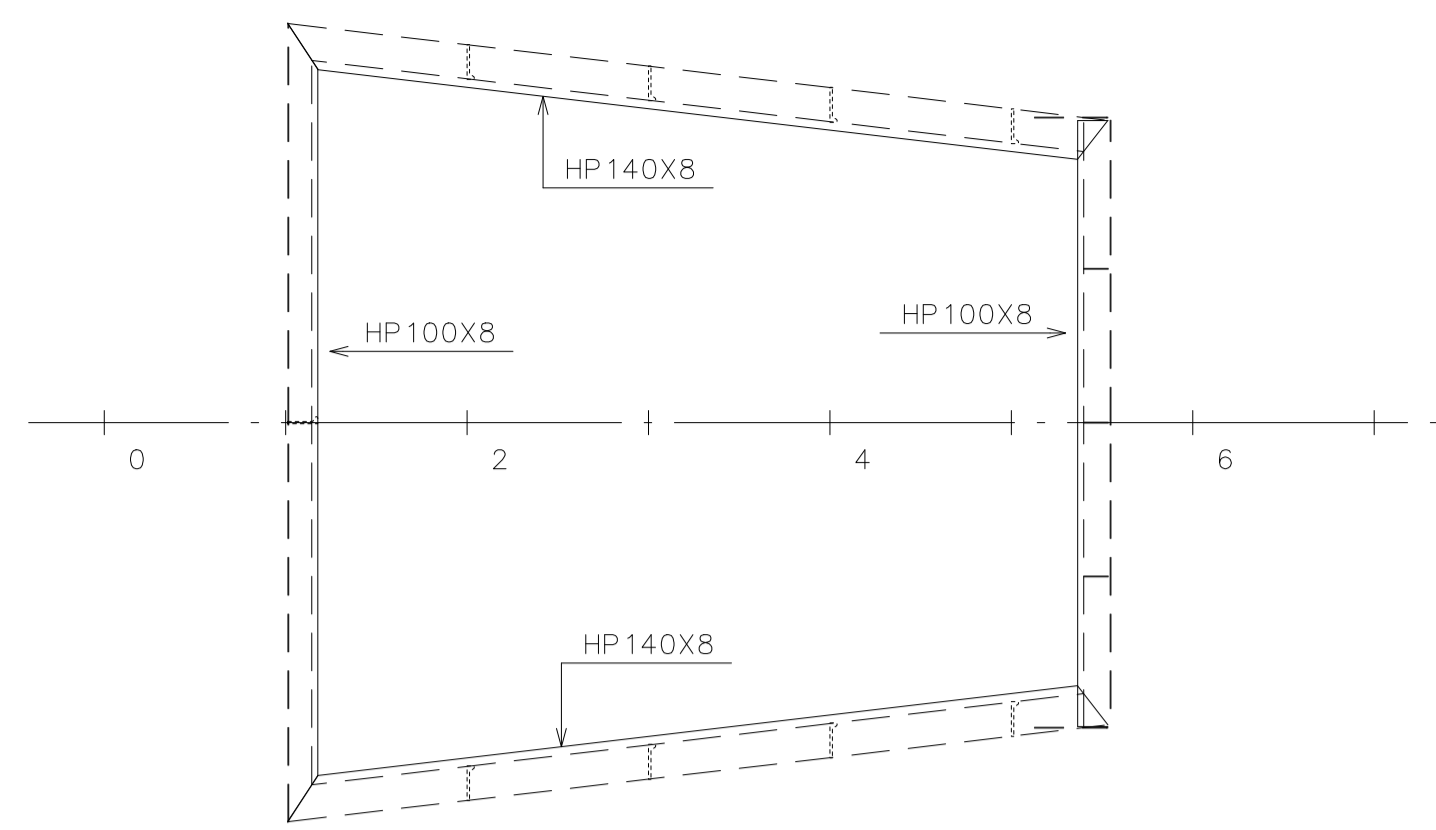
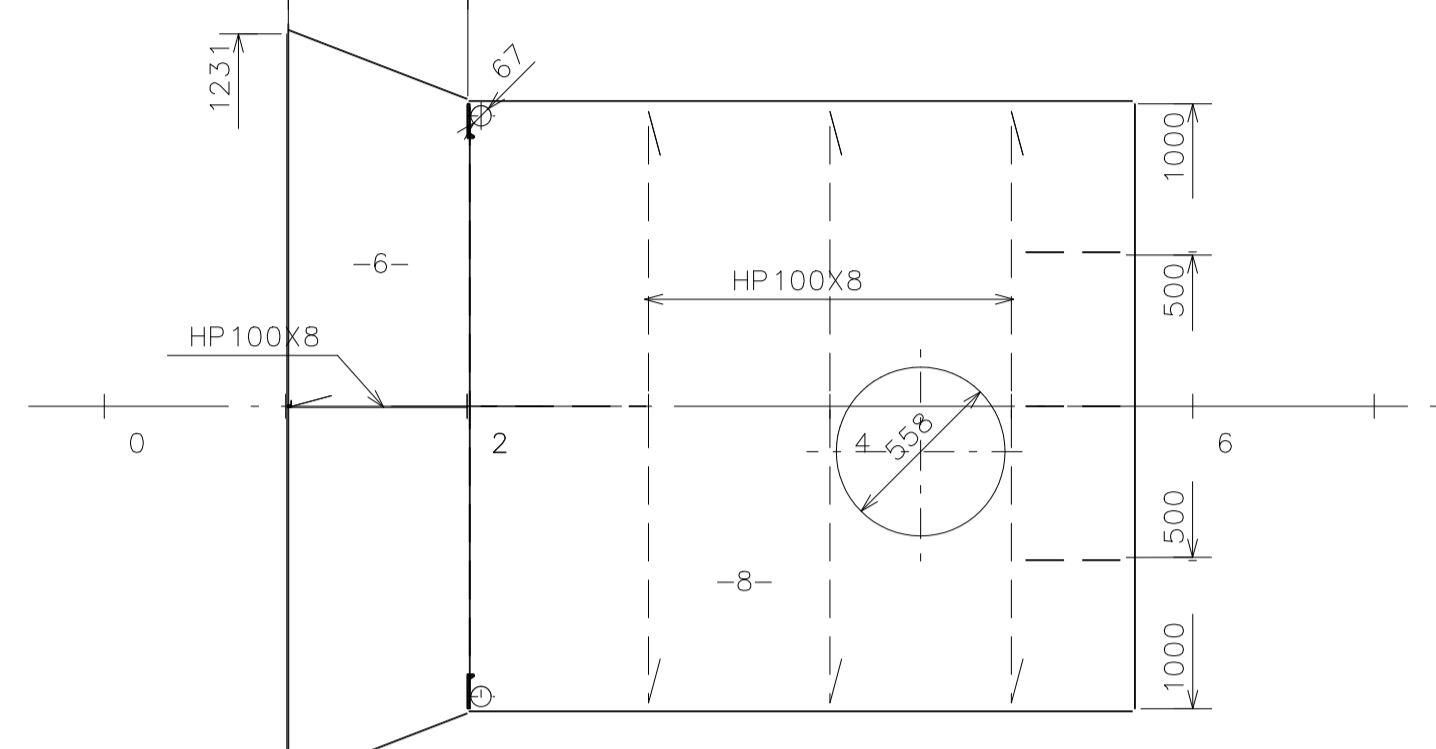


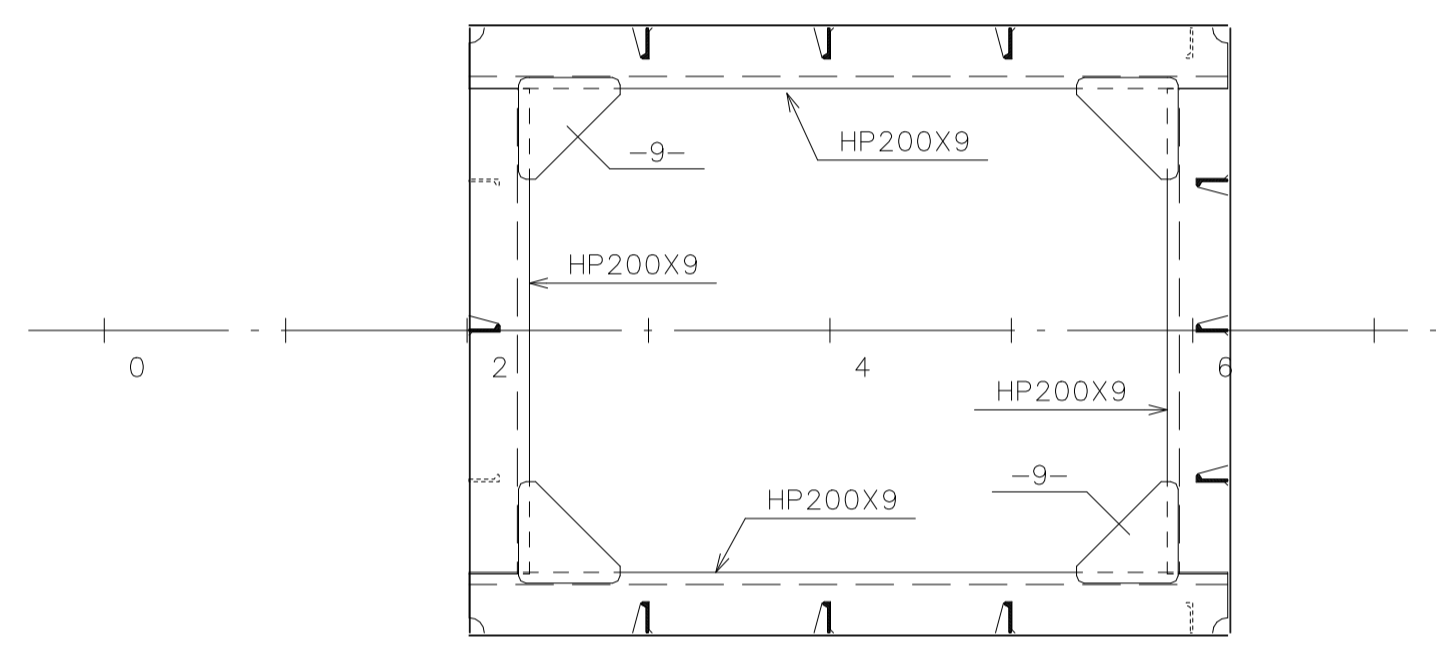
Topview 16900 above base



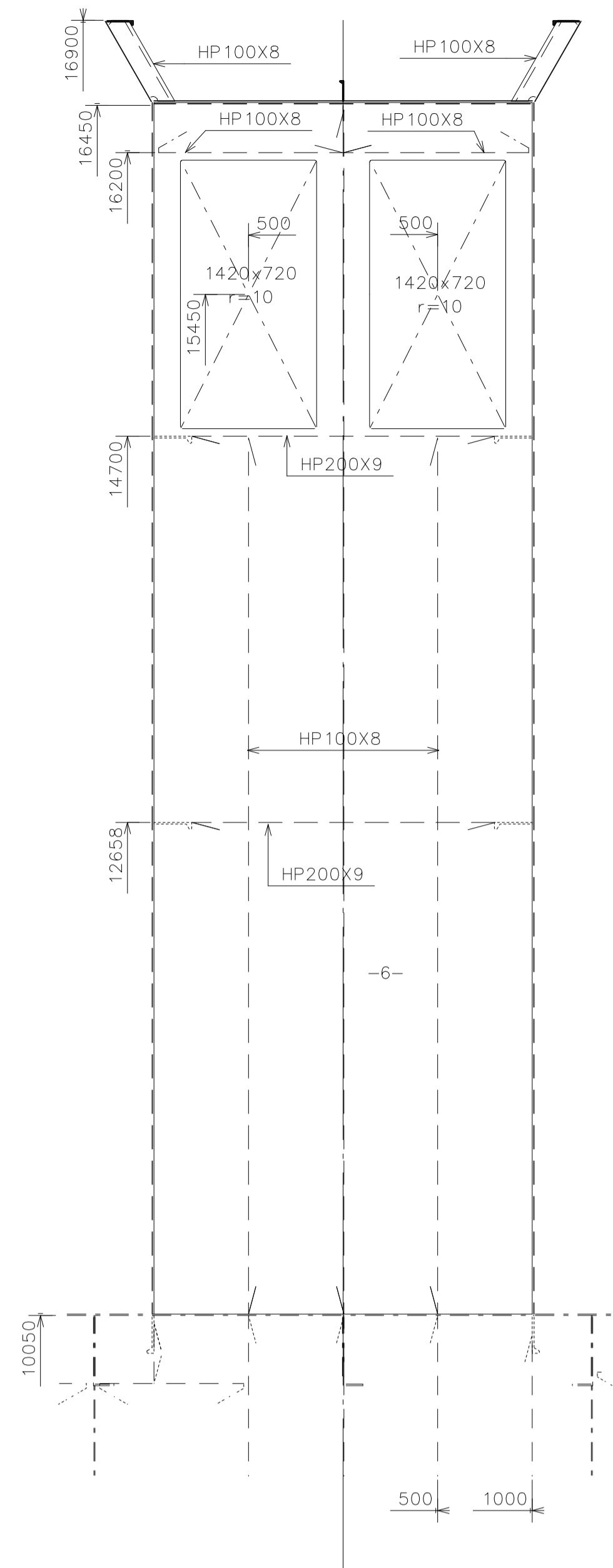
Topdeck



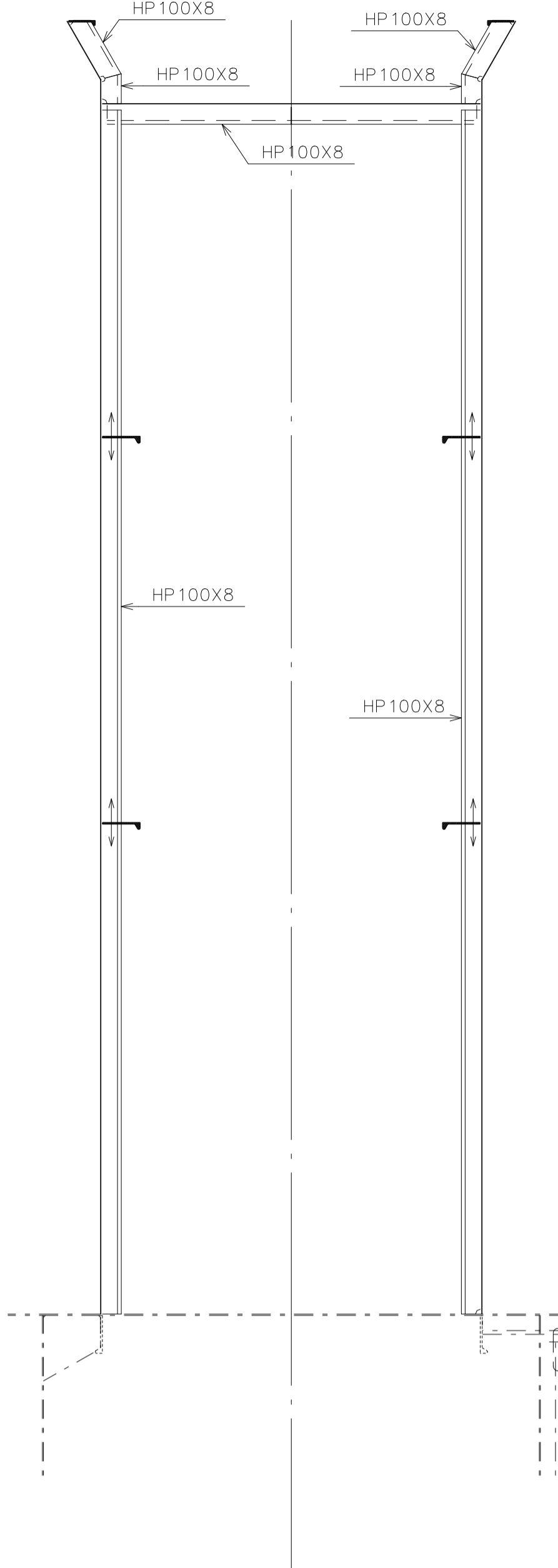
Stringer 14700, 12568 above base



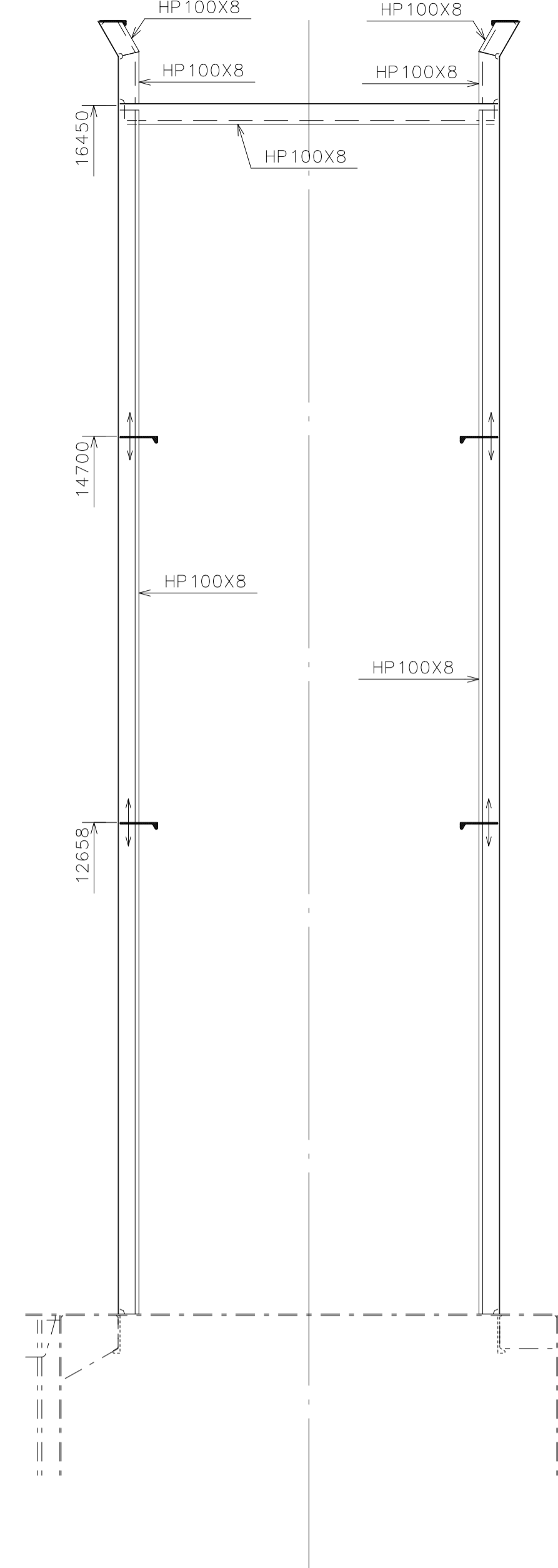
Frame 2



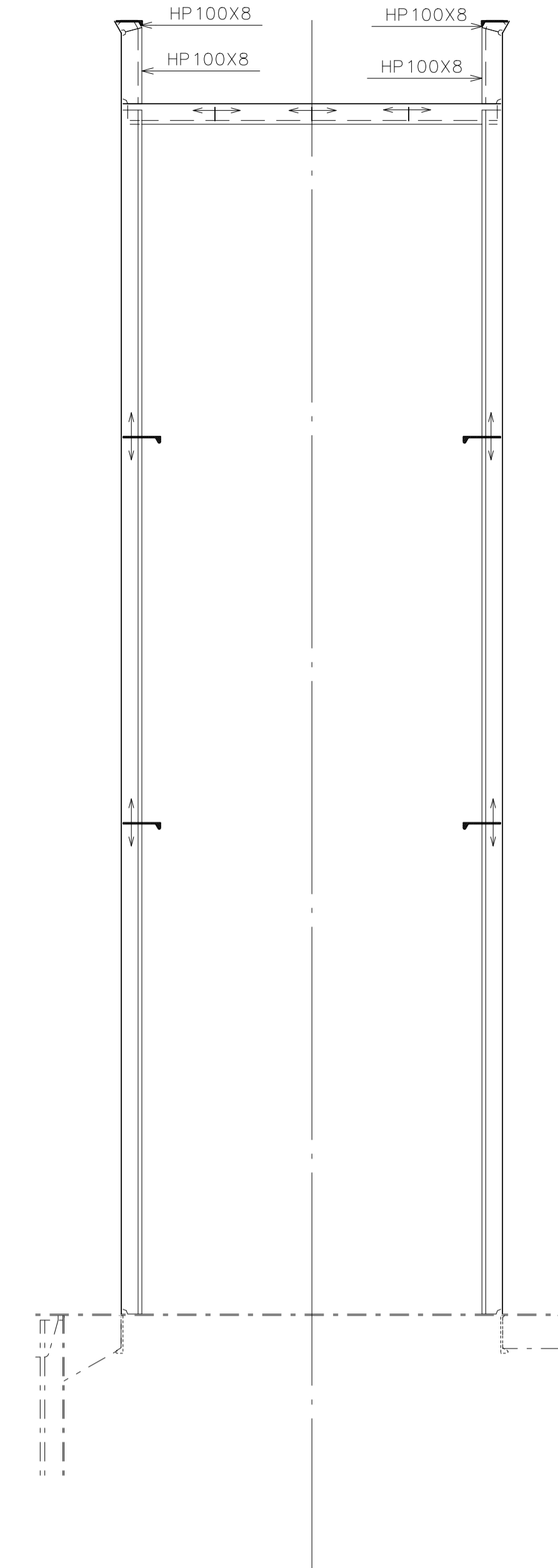
Frame 3



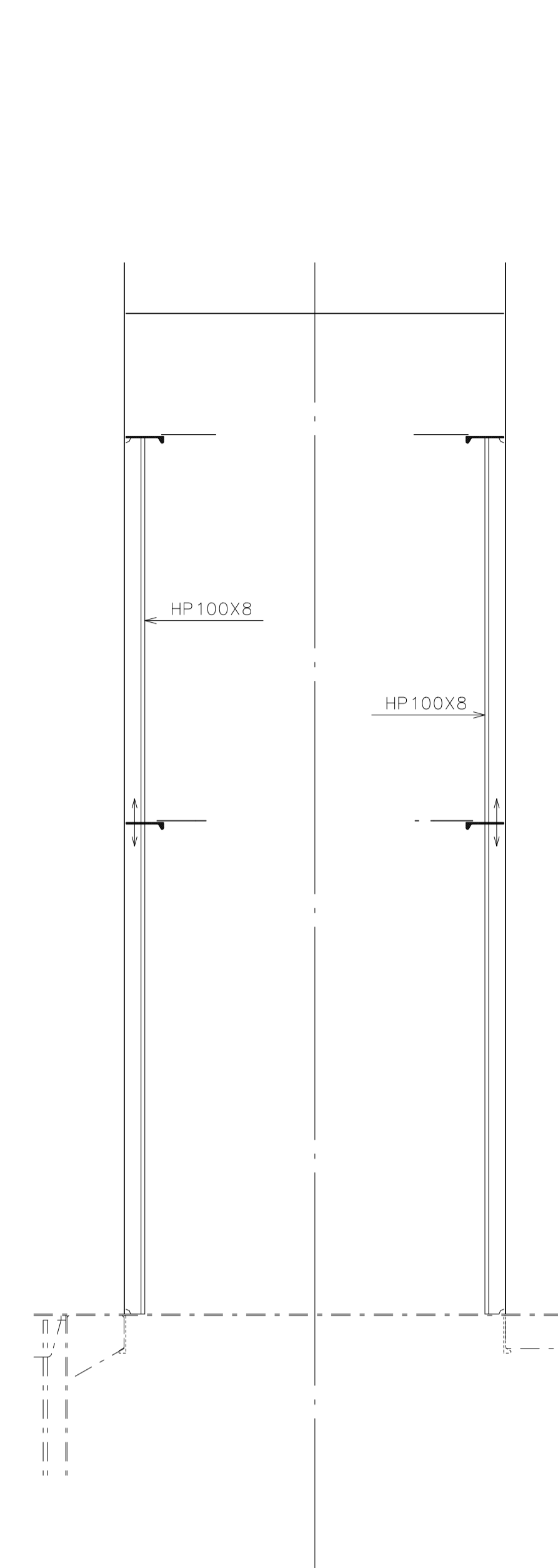
Frame 4



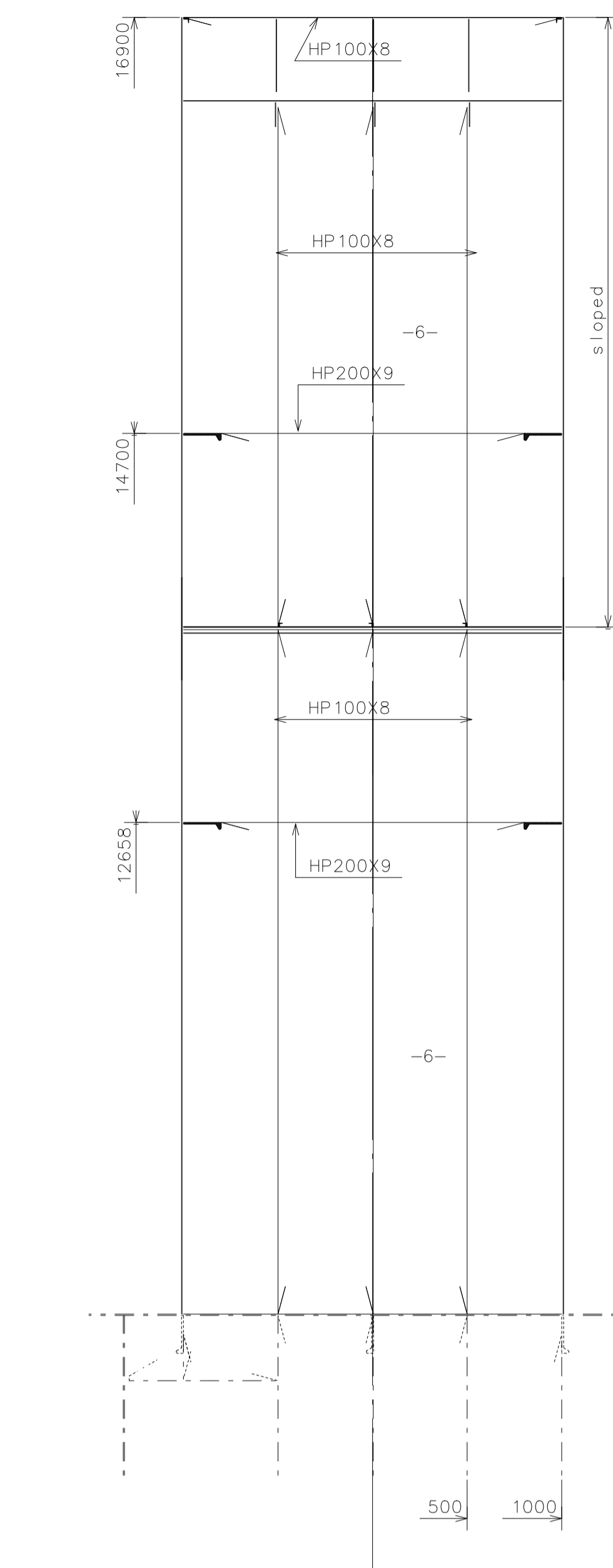
Frame 5



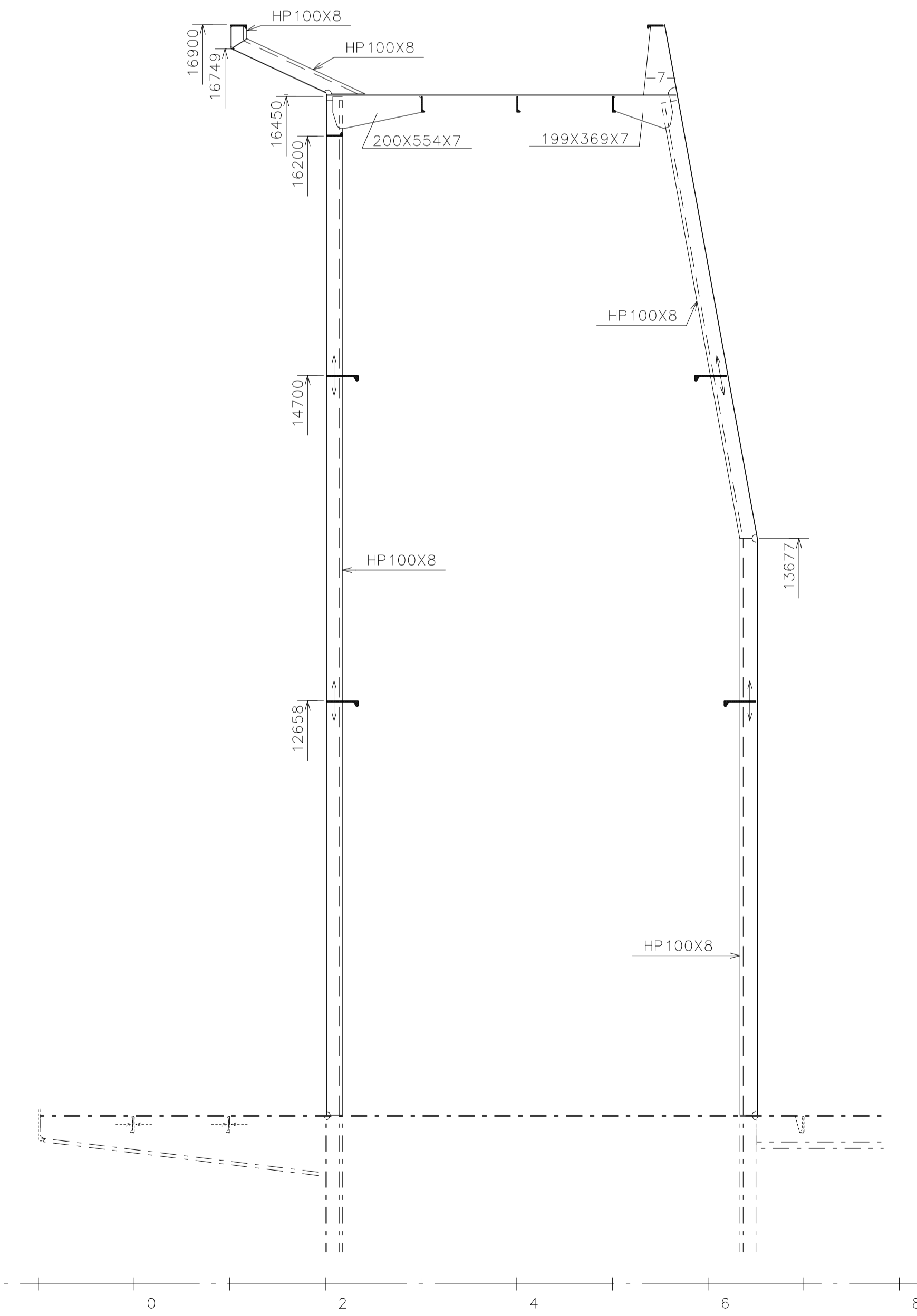
Frame 6



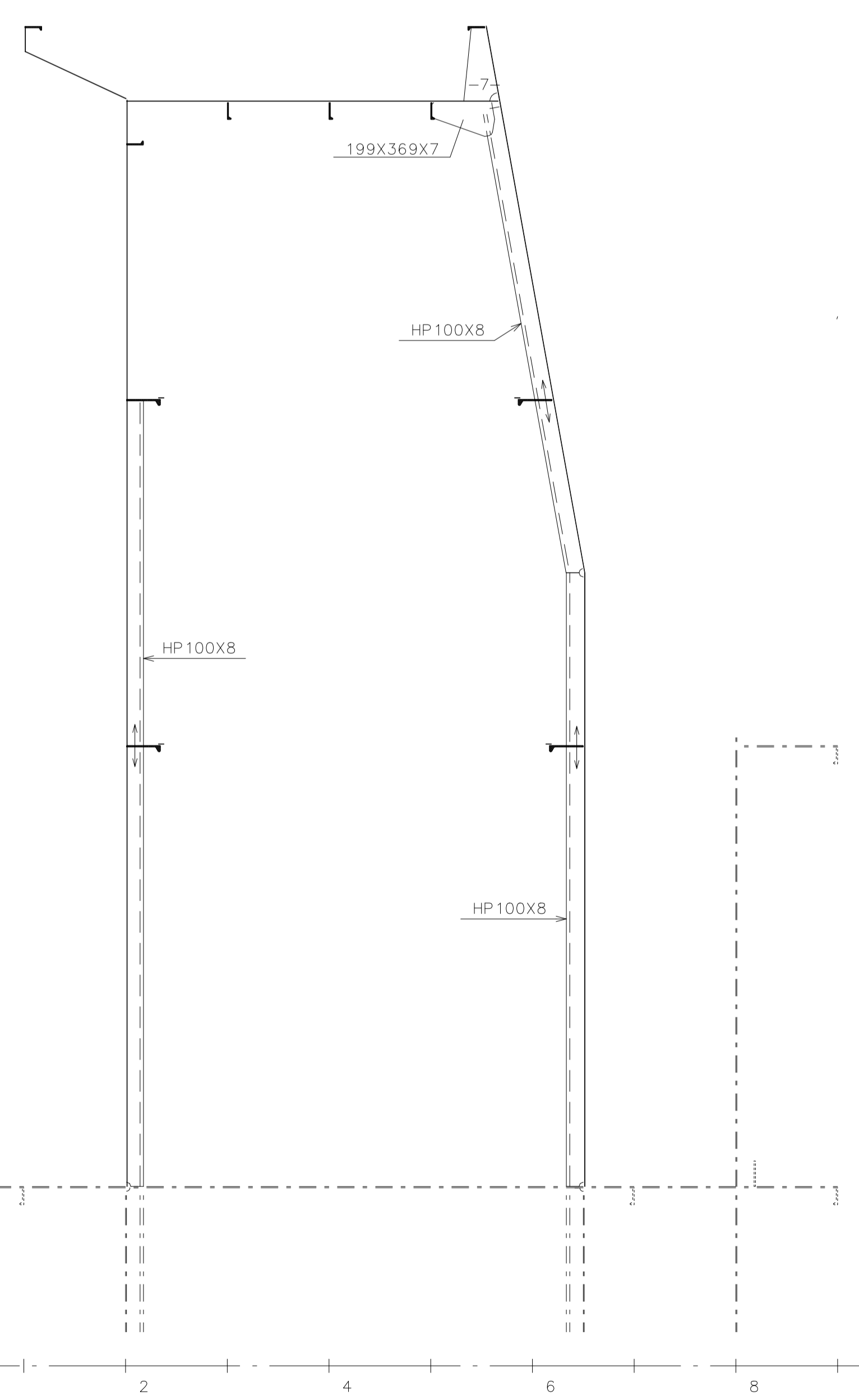
Frame 6+300



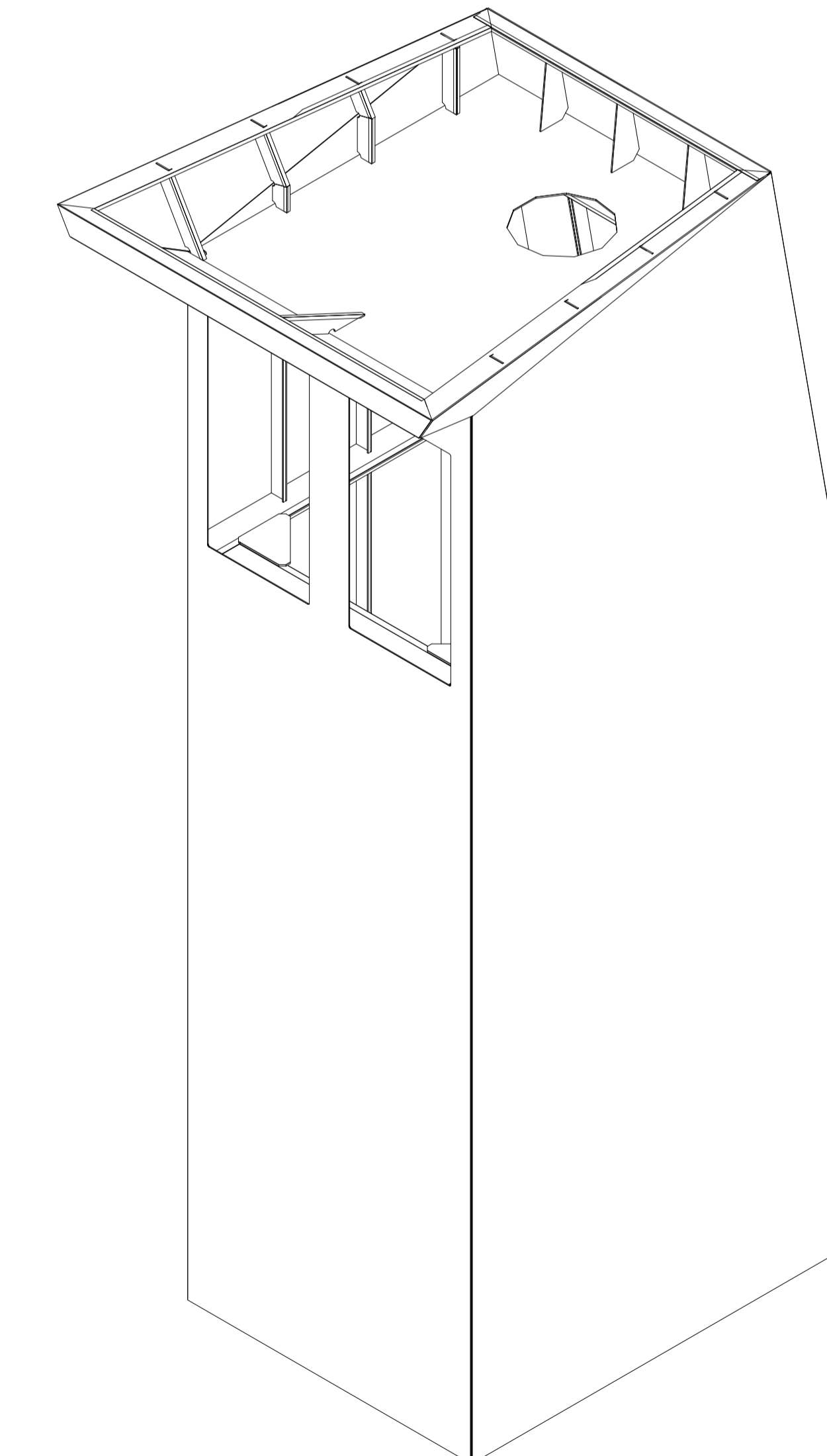
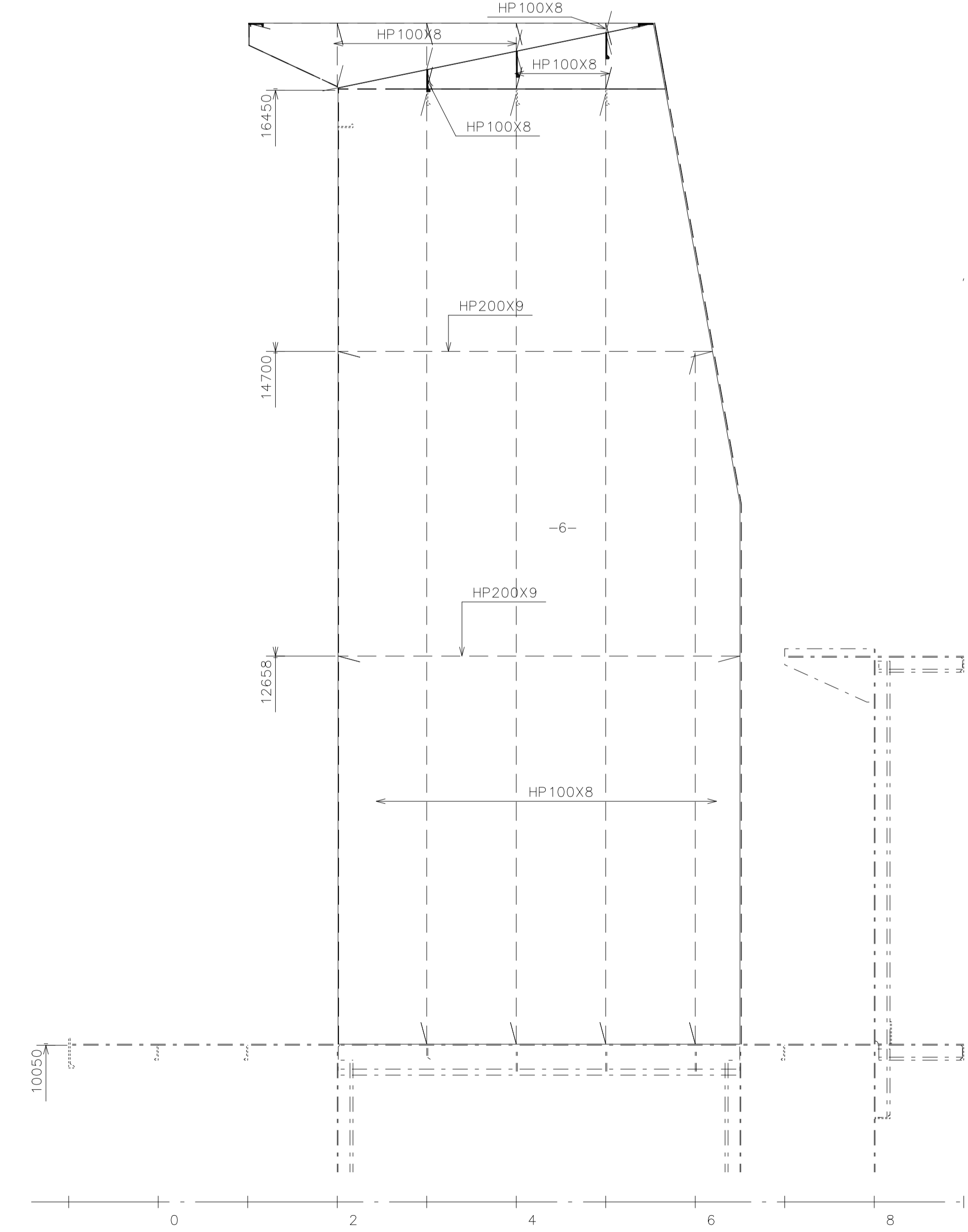
Centregirder



Long. section 500 off CL



Long. section 1000 off CL



D			
C			
B			
A			
REV	DATE	DESCRIPTION	DRAWN

TILLE SHIPYARDS 

P.O. Box 8, 9888 ZD Koolsterlila, The Netherlands

VUYK ENGINEERING GRONINGEN 

Vuyk Engineering Groningen B.V.
Naval architects, Marine engineers, Consultants
P.O. Box 204, 9700 AC Groningen
Phone +31 (0)50 375 39 50
Fax +31 (0)50 375 39 51
Web site www.vuykengineering.com

FUNNEL			
APPROVED BY:	CLASS OWNER:	HULL Nr. 349	
MODIFIED DATE:	CLASS OWNER:	DRAWN DATE: 10-06-03	DRIVING Nr. 0290
ACCORDING CHL/PI:		REVISION	Nr. OF SH. 1
NOTICE: This drawing and the information it contains are the property of VUYK ENGINEERING GRONINGEN B.V. and may not be reproduced or used in part or in whole for any purpose except by the written permission of this company.			SCALE 1:125